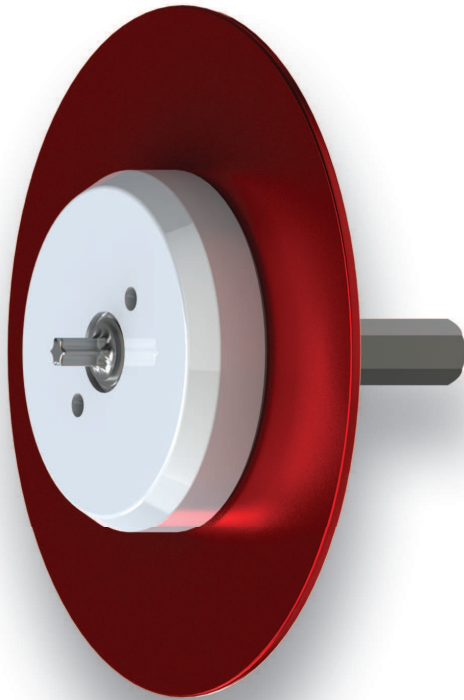


Setting tool BRAVOLL® MPS

Picture



Description

Double-sided setting tool for the surface and countersunk installation of screw-in anchors in external wall insulation systems (ETICS).

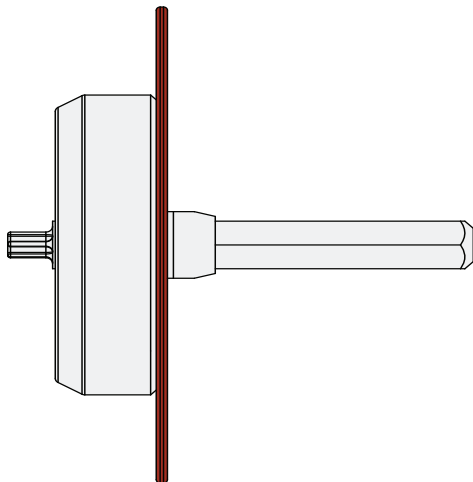
Technical data

Screwing bit:	TORX® T30
Shank:	10 mm hexagonal
Material:	Aluminium, steel

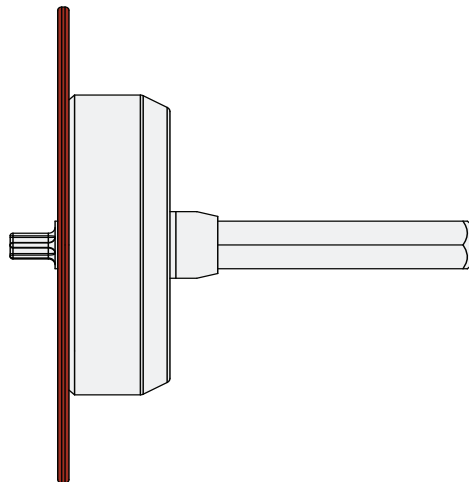
Features

- Precise and uniform setting of insulation anchor plates into the insulation material boards - eliminates all unwished visual problems on facades.
- Very simple and easy-to-use tool
- Double-sided for both surface and countersunk installation
- very light and ergonomical

Type BRAVOLL®	code	Qty per box
Setting tool MPS	11689	1



MPS - Countersunk installation



MPS - Surface installation

